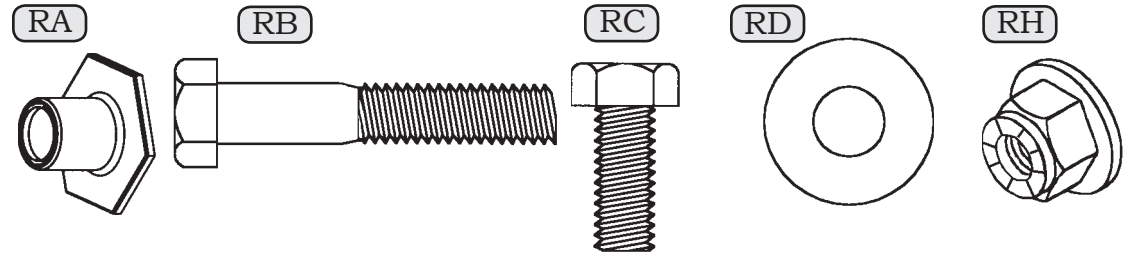


PARTS LIST

ID	Part #	Description	Qty.	✓
AA	1026344	Backboard	1	<input type="checkbox"/>
AB	1018886	Rim	1	<input type="checkbox"/>
AC	502005	Net	1	<input type="checkbox"/>
AD	AM01500	Rim Support Channel	1	<input type="checkbox"/>
Rim Hardware (1000480)				
RA	300066	5/16" Hex T-Nut	2	<input type="checkbox"/>
RB	300027	5/16" x 1 3/4" Hex Bolt	2	<input type="checkbox"/>
RC	302010	5/16" x 3/4" Hex Bolt	2	<input type="checkbox"/>
RD	302014	5/16" Flat Washer	4	<input type="checkbox"/>
RE	BB01400	2" U-Bolt	1	<input type="checkbox"/>
RH	302090	5/16" Nylock Flange Nut	4	<input type="checkbox"/>



POLE MOUNT

1. The Backboard can be mounted to Lifetime Products® brand pole models.
2. If using an existing pole system that **does not** have an extension arm provided, see Page 4.

Tools and Materials Required for Assembly (Not Included)

1. Adjustable Wrench
2. 1/2" Wrenches (2)
3. Needlenose Pliers

SAFETY INSTRUCTIONS

FAILURE TO FOLLOW THESE WARNINGS MAY RESULT IN SERIOUS INJURY OR PROPERTY DAMAGE AND WILL VOID WARRANTY.

Owner must ensure that all players know and follow these rules for safe operation of the system.

To ensure safety, do not attempt to assemble this system without following the instructions carefully. Check entire box and inside all packing material for parts and/or additional instruction material. **Before beginning assembly, read the instructions and identify parts using the hardware identifier and parts list in this document.** Proper and complete assembly, use and supervision are essential for proper orientation and to reduce the risk of accident or injury. A high probability of serious injury exists if this system is not installed, maintained, and operated properly.

- If using a ladder during assembly, use extreme caution.
- Two capable adults are recommended for this operation.

Most injuries are caused by misuse and/or not following instructions. Use caution when using this system.

STOP!

BEFORE BEGINNING ASSEMBLY

STOP!

- A. Identify and inventory all parts using the checklist boxes on the Parts List. If any parts are missing, call our Customer Service Department.
- B. Test fit all Bolts by inserting them into their respective holes. If necessary, carefully scrape away any excess powder coating buildup from inside the holes. Do not scrape away all of the powder coating. Bare metal may rust.

We only endorse attaching this Backboard and Rim to Lifetime Products Backboard Brackets. Any other assembly is considered a custom installation and will not be covered in this instruction. Lifetime Products sells Kits that allow you to attach your new Backboard to a pole, roof, or wall and may be ordered through our Customer Service Department.

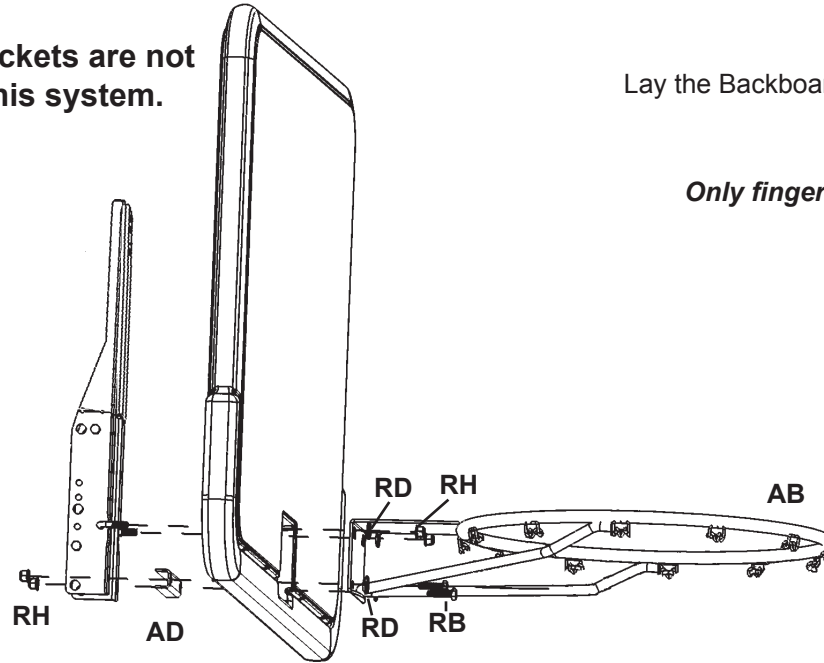
1

****Two Adults Required for This Step****

Backboard Brackets are not included in this system.

Lay the Backboard (AA) on a table or bench.

Only finger tighten the Nuts (RH) now.



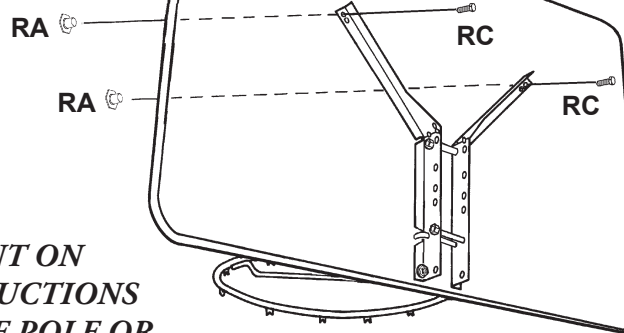
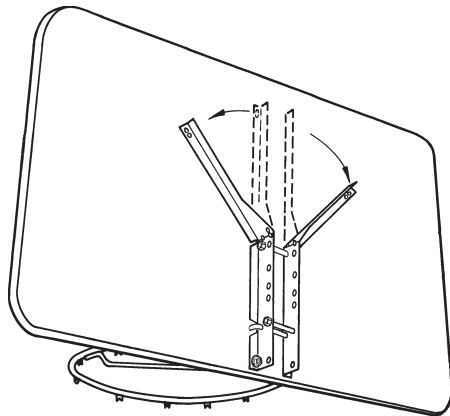
2

Bend the Backboard Brackets out.

You will need to use Needlenose Pliers to hold the T-Nuts (RA) in place while tightening.

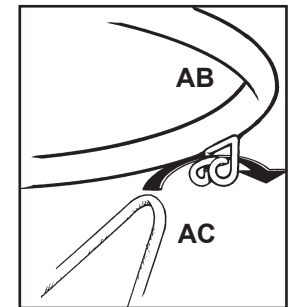
FROM THIS POINT ON FOLLOW THE INSTRUCTIONS PROVIDED WITH THE POLE OR MOUNTING UNIT.

Completely tighten all Rim hardware now.



3

Attach the Net (AC).



ROOF MOUNT, WALL MOUNT, EXISTING POLE MOUNT

If mounting the Backboard to a roof mount, wall mount or existing pole mount that does not have an extension provided, you must use a mounting bracket kit designed for this purpose. Lifetime Products, Inc.® offers a Universal Extension Bracket, Model #9594, through our Customer Service Department. Figures A, B and C show Model #9594 mounted to a roof mount, wall mount and existing pole mount. Please see below for ordering information.

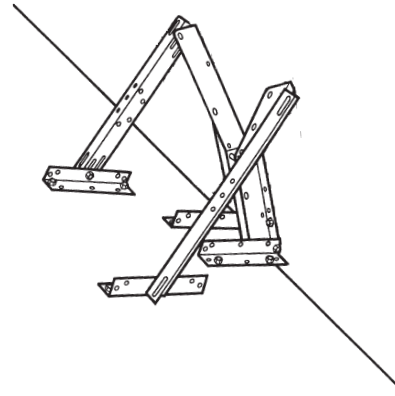


FIGURE A, ROOF MOUNT

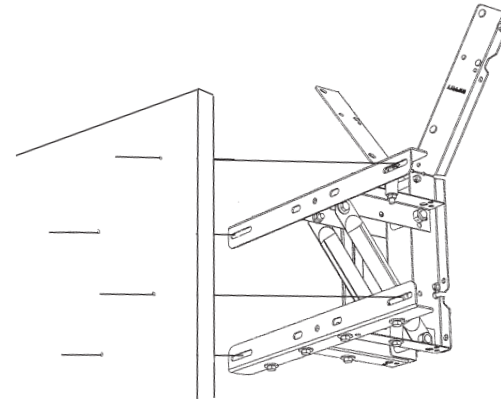


FIGURE B, WALL MOUNT

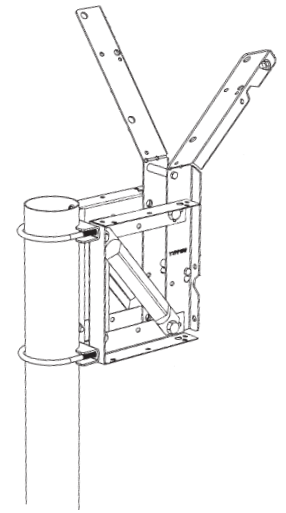


FIGURE C, EXISTING
POLE MOUNT

ACCESSORIES AVAILABLE FOR MORE BASKETBALL FUN!

PRODUCT DESCRIPTION

Universal Extension Bracket
Adjustable Universal Extension Bracket
Intermediate Size Basketball

MODEL

9594
1044
594201

CONTACT CUSTOMER SERVICE FOR PRICES AND SHIPPING COSTS.

TO PLACE ORDERS, USE A MASTER CARD OR VISA
AND CALL OUR CUSTOMER SERVICE DEPARTMENT:

1 (800) 225-3865

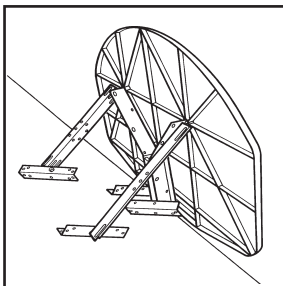
LIFETIME PRODUCTS, INC.

P.O. BOX 160010

BLDG. D-11, FREEPORT CENTER

CLEARFIELD, UT 84016-0010

Universal Extension Bracket
#9594



SYSTEM MAINTENANCE

The life of your basketball system depends on many variables. The climate, exposure to corrosives such as salt, pesticides, or herbicides, and excessive use or misuse can all contribute to pole failure, which may cause property damage or personal injury.

Check your basketball system frequently for loose hardware, excessive wear, and signs of corrosion. For safety reasons, and to prolong the life of your basketball system, you **must** take the following preventive measures.

- a. Check all Nuts and Bolts. If any are loose, tighten them.
- b. Check all parts for excessive wear and tear. If necessary, replace any parts that have been worn or damaged through usage. Contact our Customer Service Department for replacement parts.