



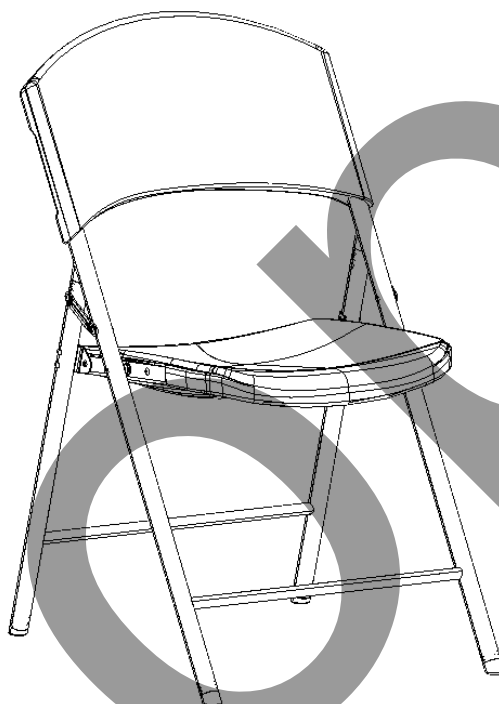
www.lifetime.com

6/20/2006

IF ASSISTANCE IS NEEDED,
CALL OUR CUSTOMER SERVICE DEPARTMENT at **1 (800) 225-3865**
HOURS: 7:00 a.m. to 5:00 p.m. Monday through Friday (Mountain Standard Time)

CHAIR ASSEMBLY INSTRUCTIONS

MODEL #5932



Parts List

Hardware Bag 1014654

ID	Part #	Description	Qty
AA	BS03700	#8 x 1/2" Phillips Truss Head Screw	5

Hardware Is Actual Size



AA

Tools Needed (Not Included)



Phillips Screwdriver

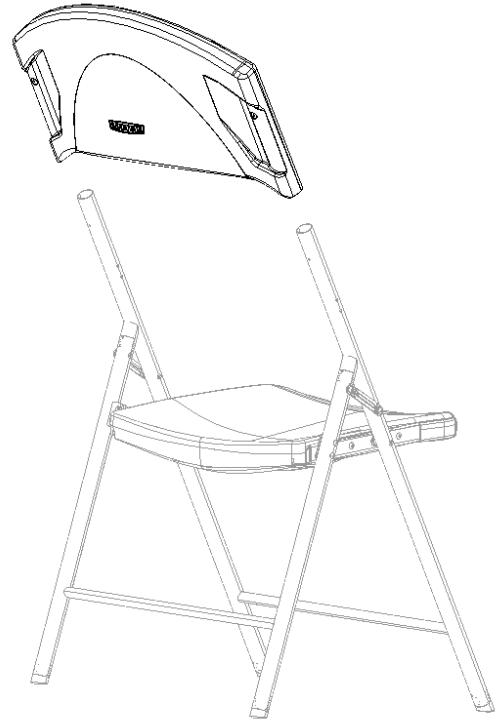
Note: Only four (4) screws needed.

Chair Back Assembly

1

1.1: Slide a **Chair Back** over the tops of the front chair legs as illustrated (Lifetime Logo facing towards the back of the chair).

NOTE: To help obtain the proper height of the **Chair Back**, set it next to a pre-assembled chair, then slide the **Chair Back** onto the chair to set it at the same height.



2

2.1: Insert two (2) #8 x 1/2" Phillips Screws (AA) to secure the **Back** to the **Chair**.

2.2 Repeat steps 1.1 and 2.1 for the second **Chair**.

WARNING: Do not overtighten **Screw**.

