



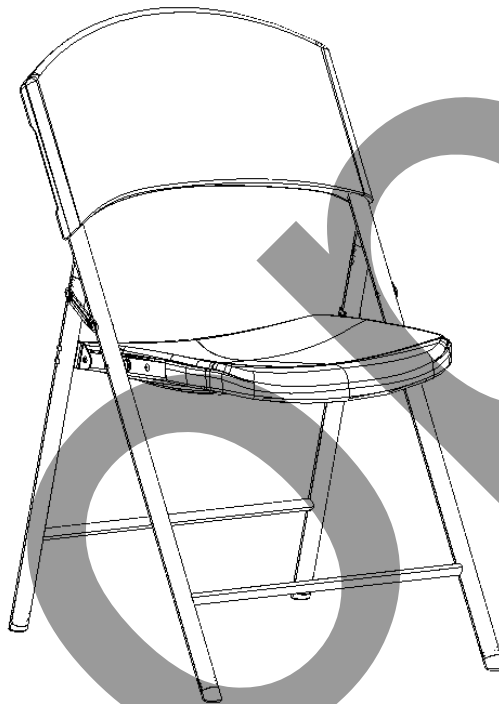
www.lifetime.com

10/03/2006

IF ASSISTANCE IS NEEDED,
CALL OUR CUSTOMER SERVICE DEPARTMENT at **1 (800) 225-3865**
HOURS: 7:00 a.m. to 5:00 p.m. Monday through Friday (Mountain Standard Time)
Call, or visit our Web site for Saturday hours

CHAIR ASSEMBLY INSTRUCTIONS

MODEL #5933



Tools Needed (Not Included)



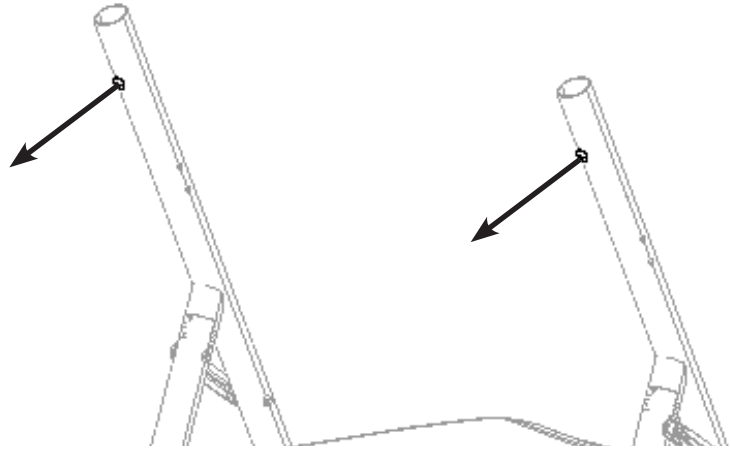
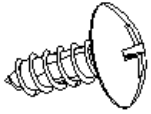
Phillips Screwdriver

Chair Back Assembly

1

1.1: Remove the two (2) #8 x 1/2" Phillips Screws located at the top of the front legs of the two chairs without backrests.

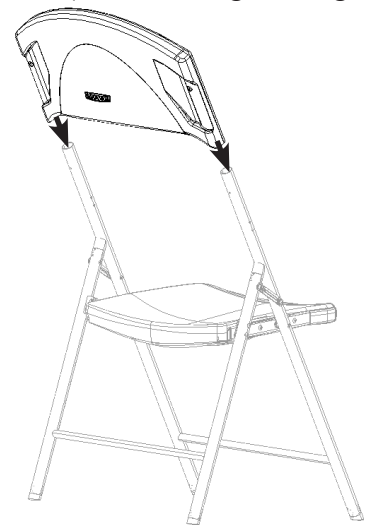
#8 x 1/2" Phillips Screw



2

2.1: Slide a **Chair Back** over the tops of the front chair legs as illustrated (Lifetime Logo facing towards the back of the chair).

NOTE: To help obtain the proper height of the **Chair Back**, set it next to a pre-assembled chair, then slide the **Chair Back** onto the chair to set it at the same height.



3

3.1: Re-insert the two (2) #8 x 1/2" Phillips Screws (AA) to secure the **Back** to the **Chair**.

3.2 Repeat steps 1.1 through 3.1 for the second **Chair**.

WARNING: Do not overtighten **Screws**.

