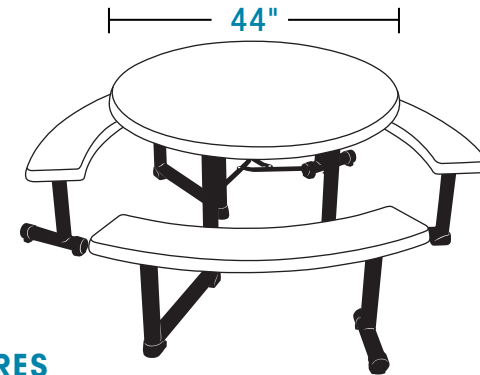




www.lifetime.com



DIMENSIONS



FEATURES

- › Model Number 2127
- › Superior Strength and Durability
- › Innovative, Stylish Design
- › Benches Swing Outward for Easy Seating Access
- › Open Frame Design Increases Legroom
- › Ideal for Home or Office
- › UV-Protected Tabletop and Benches will not Crack, Chip or Peel
- › Rust-Resistant Powder Coat Finish
- › Some Assembly Required

44-INCH ROUND PICNIC TABLE

Available in stone grey and almond. 8 tables per pallet (for best price)

TO REQUEST A QUOTE OR PLACE AN ORDER, EMAIL MBMOWER@LIFETIME.COM OR CALL 1 (800) 242-3865 X1521